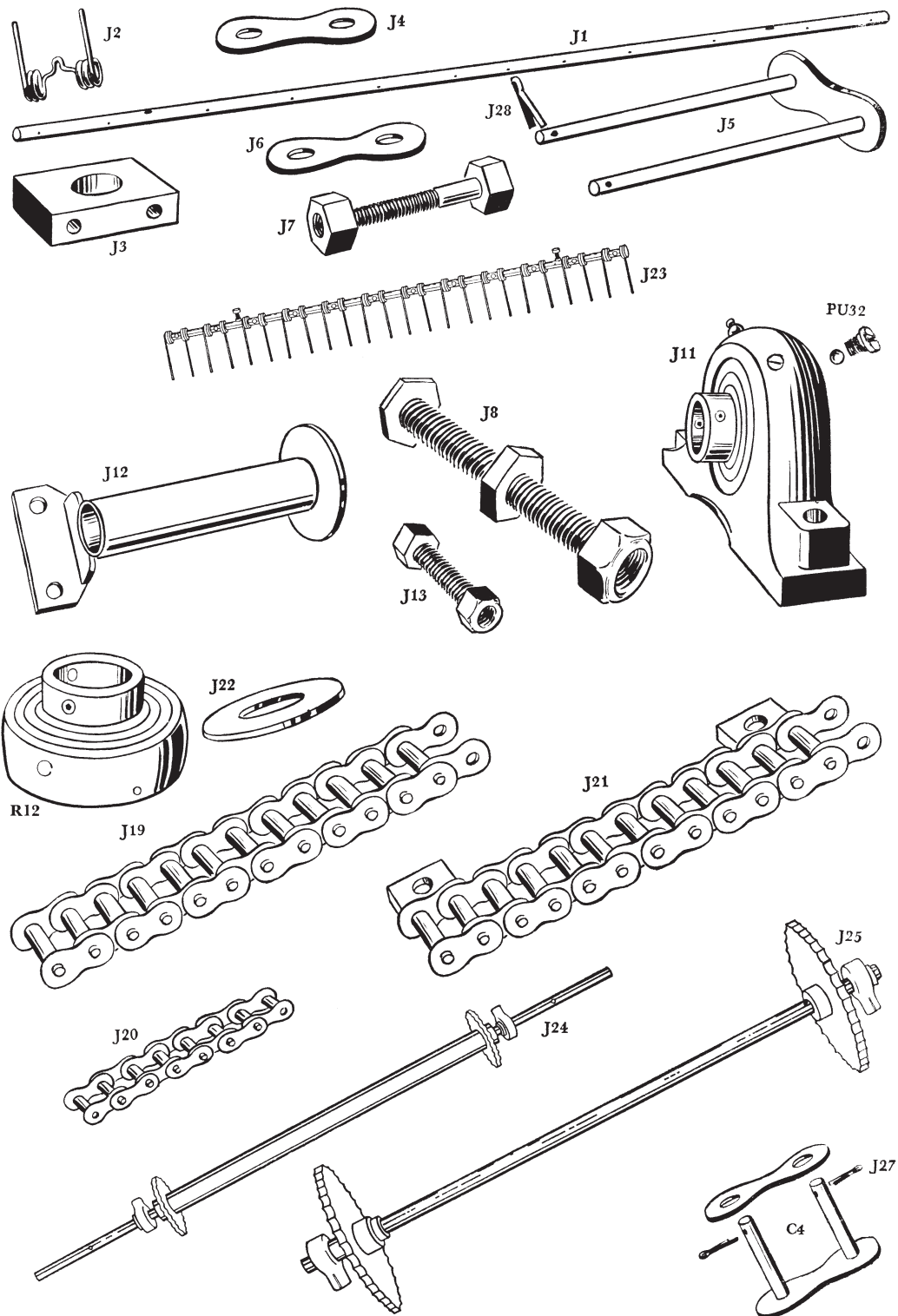


FLIGHT AND CHAIN ASSEMBLY



MB HARVESTER • P.O. BOX 56 • MANCHESTER, NY 14504 • 585-289-8027