



SW SERIES

Portion Control Scale

The SW Series Bench Scale is a well built, compact scale that will stand up to years of use. Available in two styles, the legal for trade SW and the SW-Z. The SW-Z adds the lb:oz fraction and lb:oz decimal modes.

- Portable - Battery or AC Power
- Easy to Clean
- Use in restaurants, specialty stores, farmers markets, and more
- Legal for Trade (SW Series Only)

SW ▶



◀ SW-Z



SW SERIES | Portion Control Scale

TOTAL WEIGHING SOLUTION™

FEATURES

- AC or Battery Operated with Auto Power Off
- Large Easy to Read 1 Inch LCD Display
- Lb/g/kg/oz Switchable
- Lb:oz decimal & Lb:oz fraction (SW-Z)
- Easy to Clean Stainless Steel Platter
- Soft Touch Tactile Switch
- Warranty - 1 Year

OPTIONS

- Rear Display
- Full Body Protective Cover
- Large Platter



Large Platter



Rear Display



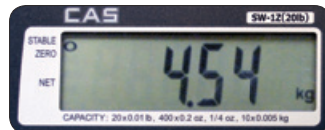
SPECIFICATIONS

Model	SW-5	SW-10	SW-20	SW-50	
Weighing Capacity	lb	5 x 0.002 lb	10 x 0.005 lb	20 x 0.01 lb	50 x 0.02 lb
	oz	80 x 0.05 oz	160 x 0.1 oz	400 x 0.2 oz	800 x 0.5 oz
	kg	2 x 0.001 kg	5 x 0.002 kg	10 x 0.005 kg	20 x 0.01 kg
	g	2000 x 1 g	5000 x 2 g	10000 x 5 g	20000 x 10 g
		SW-5Z	SW-10Z	SW-20Z	SW-50Z
	lb	5 x 0.002 lb	10 x 0.005 lb	20 x 0.01 lb	50 x 0.02 lb
	lb:oz dec	5lb x 0.05 oz	10lb x 0.1 oz	20lb x 0.2 oz	50lb x 0.5 oz
	lb:oz frac	5lb x 1/16 oz	10lb x 1/8 oz	20lb x 1/4 oz	50lb x 1/2 oz
g	2000 x 1 g	5000 x 2 g	10000 x 5 g	20000 x 10 g	
Display Digit	5 Digit LCD (1 Inch)				
Display Designators	Stable, Zero, Net, Batt				
Keys	Zero, Tare, Unit, Power				
Measurement Type	Load Cell				
Power Source	DC 9V (1.5V x 6ea - "D" Size) / AC Adapter Included				
Power Consumption	0.25W				
Operating Time	Alkaline Dry Battery: 1000 hr				
Operating Temp	-10°C ~ 40°C / 14°F ~ 104°C				
Platter Size (in/mm)	9.05(W) x 7.48(D) / 230(W) x 190(D)				
Dimensions (in/mm)	10.23 (W) x 11.29(D) x 5.39(H) / 260(W) x 287(D) x 137(H)				
Product Weight	6.92 lbs / 3.14 kg				
Approvals	NTEP COC# 99-002 (SW Series Only)				

DISPLAY MODES



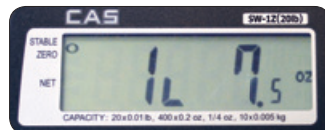
▲ Lb: SW & SW-Z



▲ Kg: SW & SW-Z



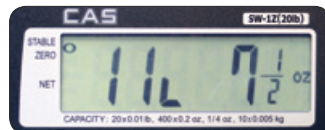
▲ Oz: SW only



▲ Lb:oz decimal: SW-Z only



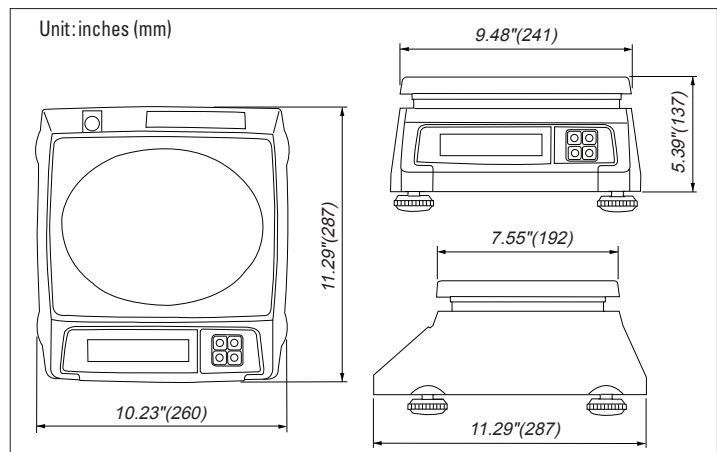
▲ Grams: SW & SW-Z



▲ Lb:oz fraction: SW-Z only



DIMENSIONS



99 Murray Hill Parkway
East Rutherford, NJ 07073

TEL: (201) 933-9002

FAX: (201) 933-9025

<http://www.cas-usa.com>

Specifications are subject to change for improvement without prior notice.