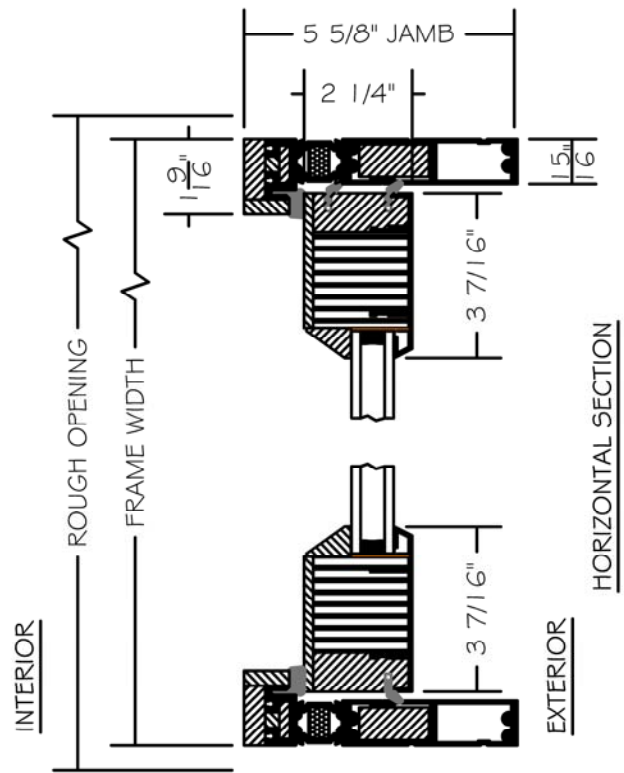
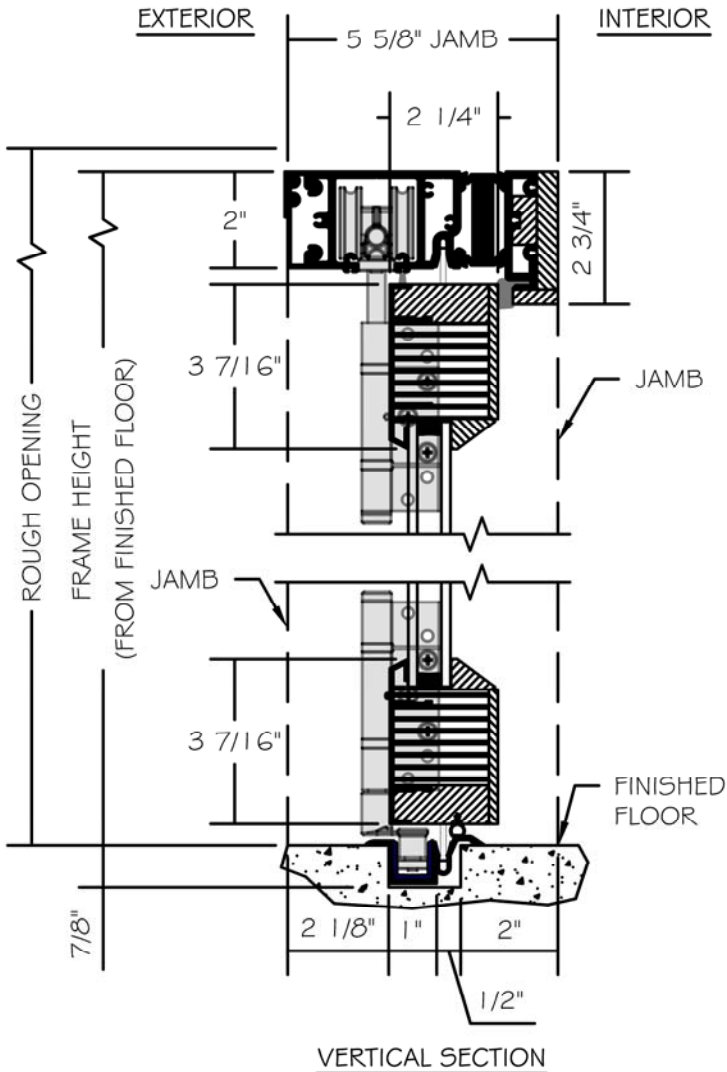
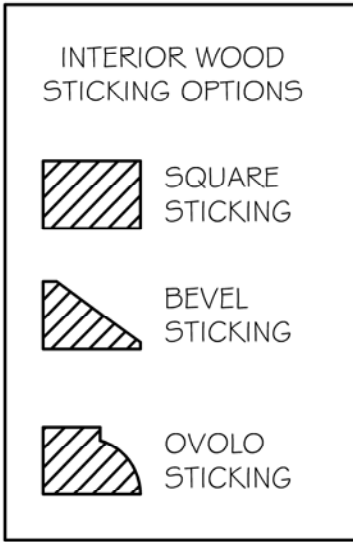


(SPECIFICATIONS MAY CHANGE WITHOUT NOTICE TO IMPROVE FUNCTION OR DESIGN)

ENERGY SOLUTIONS EUROPEAN CLAD/WOOD BIFOLD w/ULTRA GUIDE

SCALE: 3" = 1'-0"

PROPRIETARY AND CONFIDENTIAL
THIS DRAWING AND ITS CONTENTS ARE THE
PROPERTY OF AG MILLWORKS. REPRODUCTION
OF ANY PART OF THE DRAWING IN ANY FORM
WHATSOEVER WITHOUT THE PRIOR WRITTEN
PERMISSION OF AG MILLWORKS IS STRICTLY
FORBIDDEN. © 2013 AG MILLWORKS



NO WARRANTY FOR WATER, WIND OR DUST INFILTRATION ON BIFOLDS WITH ULTRA GUIDE CHANNELS.

TO PRINT TO SCALE, SELECT "ACTUAL SIZE" OR DESELECT "FIT TO PAGE" IN PRINT DIALOGUE BOX