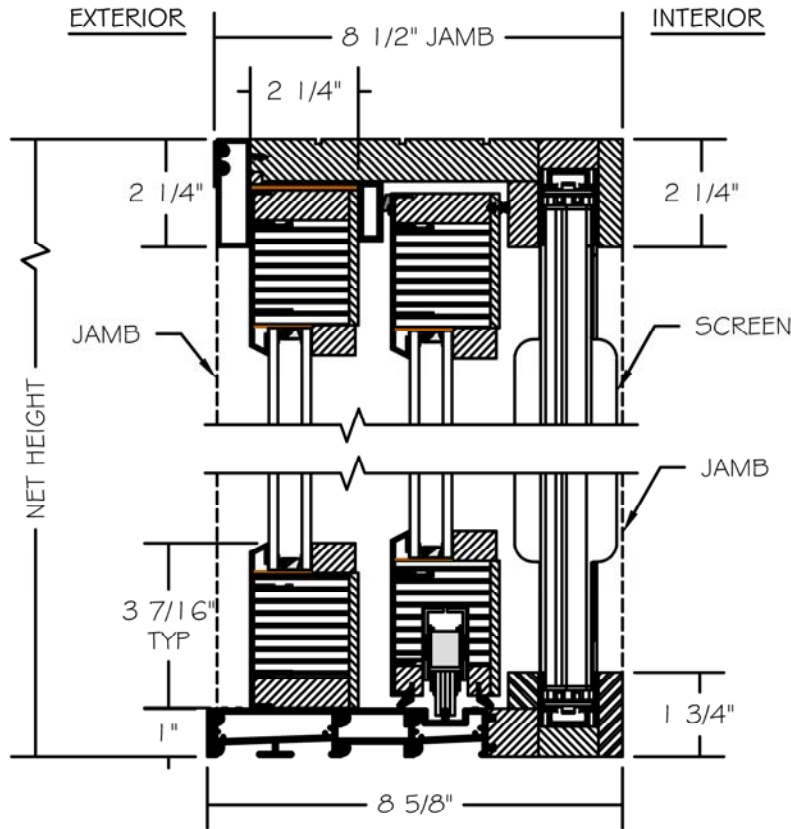
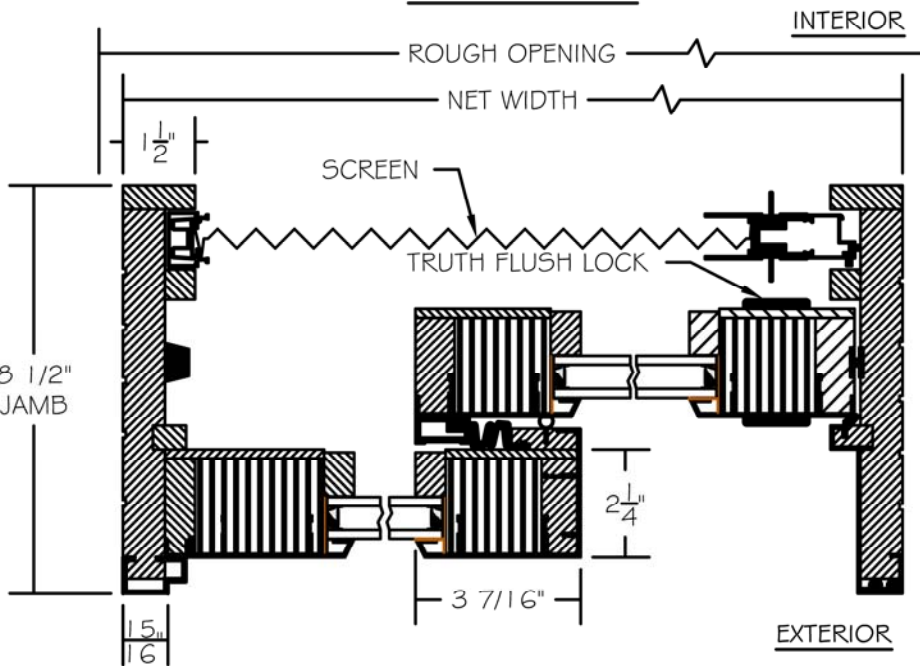
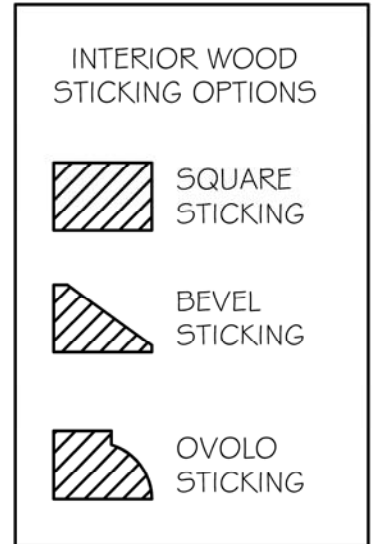


(SPECIFICATIONS MAY CHANGE WITHOUT NOTICE TO IMPROVE FUNCTION OR DESIGN)



VERTICAL SECTION



HORIZONTAL SECTION

ENERGY SOLUTIONS
EUROPEAN CLAD/WOOD
(OX) SLIDER w/SILLution

SCALE: 3" = 1'-0"

PROPRIETARY AND CONFIDENTIAL
THIS DRAWING AND ITS CONTENTS ARE THE
PROPERTY OF AG MILLWORKS. REPRODUCTION
OF ANY PART OF THE DRAWING IN ANY FORM
WHATSOEVER WITHOUT THE PRIOR WRITTEN
PERMISSION OF AG MILLWORKS IS STRICTLY
FORBIDDEN. © 2013 AG MILLWORKS

TO PRINT TO SCALE, SELECT
"ACTUAL SIZE" OR DESELECT "FIT
TO PAGE" IN PRINT DIALOGUE BOX