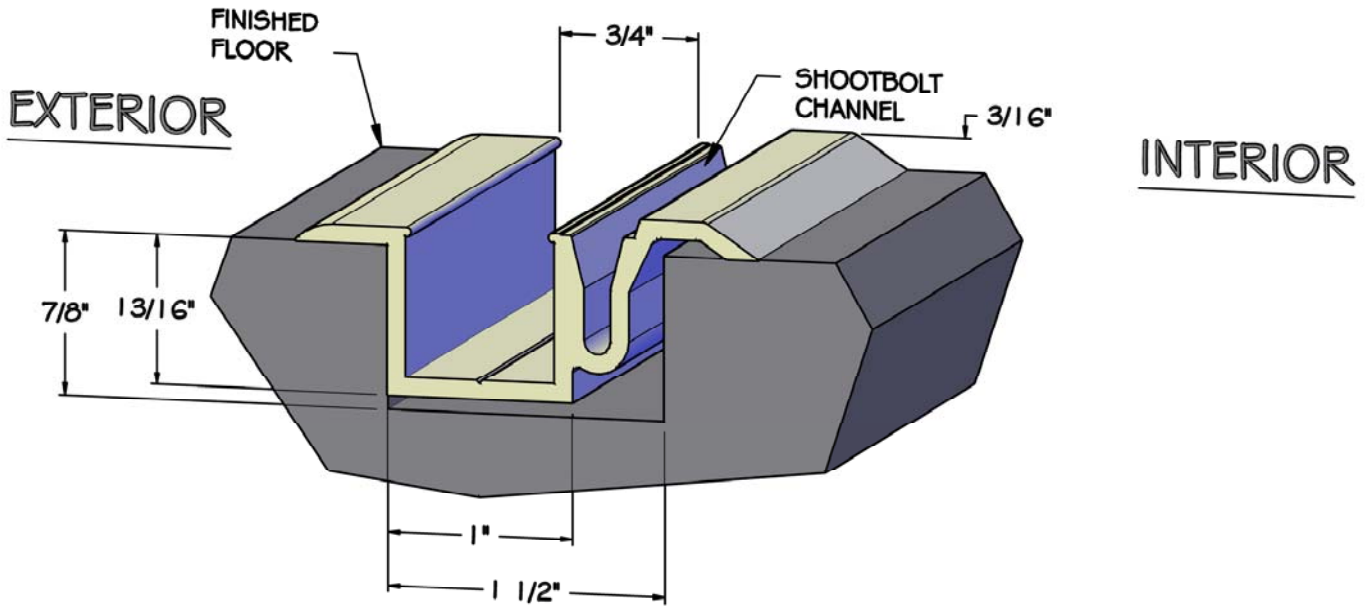
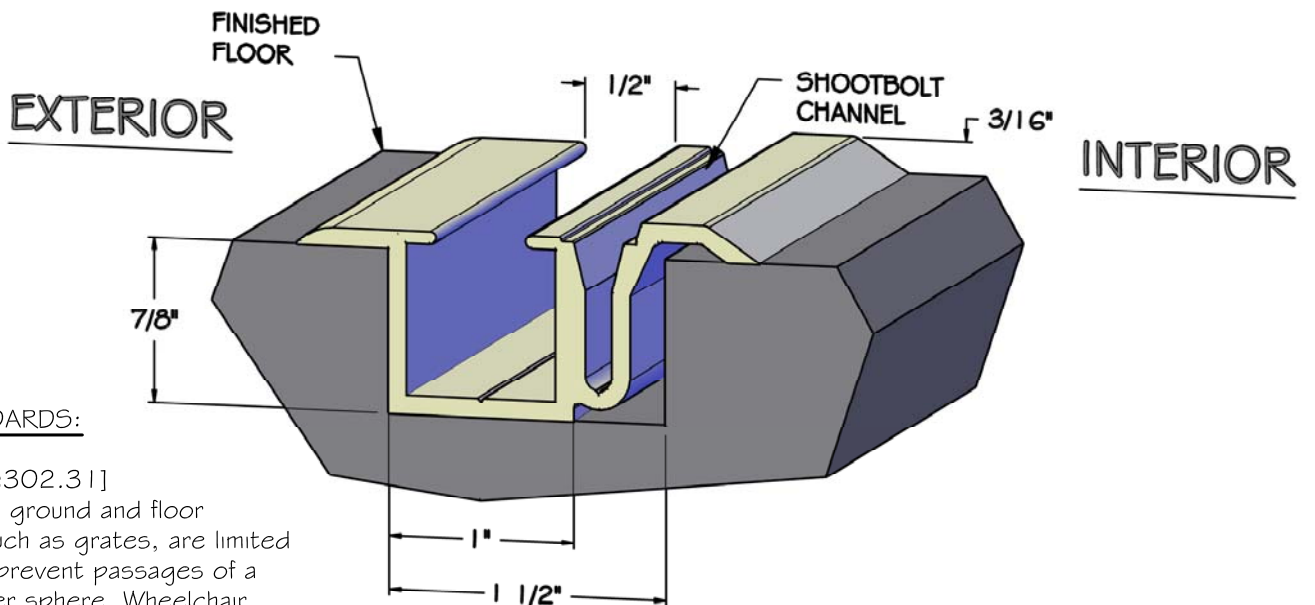


ULTRA GUIDE



ADA ULTRA GUIDE



ADA STANDARDS:

Openings [§302.3.1]

Openings in ground and floor surfaces, such as grates, are limited in width to prevent passages of a $1/2"$ diameter sphere. Wheelchair castors can get stuck in wider openings.