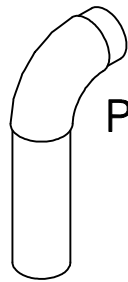


Zumiki-Modular Type Filter Tank

Installation manual

<http://www.frpfiltertank.com>

Accessories Included in the package



Pipe with elbow

2 pcs



110mmX4"
CONCENTRIC
REDUCER

4 pcs



4"X2"
CONCENTRIC
REDUCER

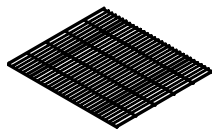
2 pcs



Valve

1 pcs

Support Grids

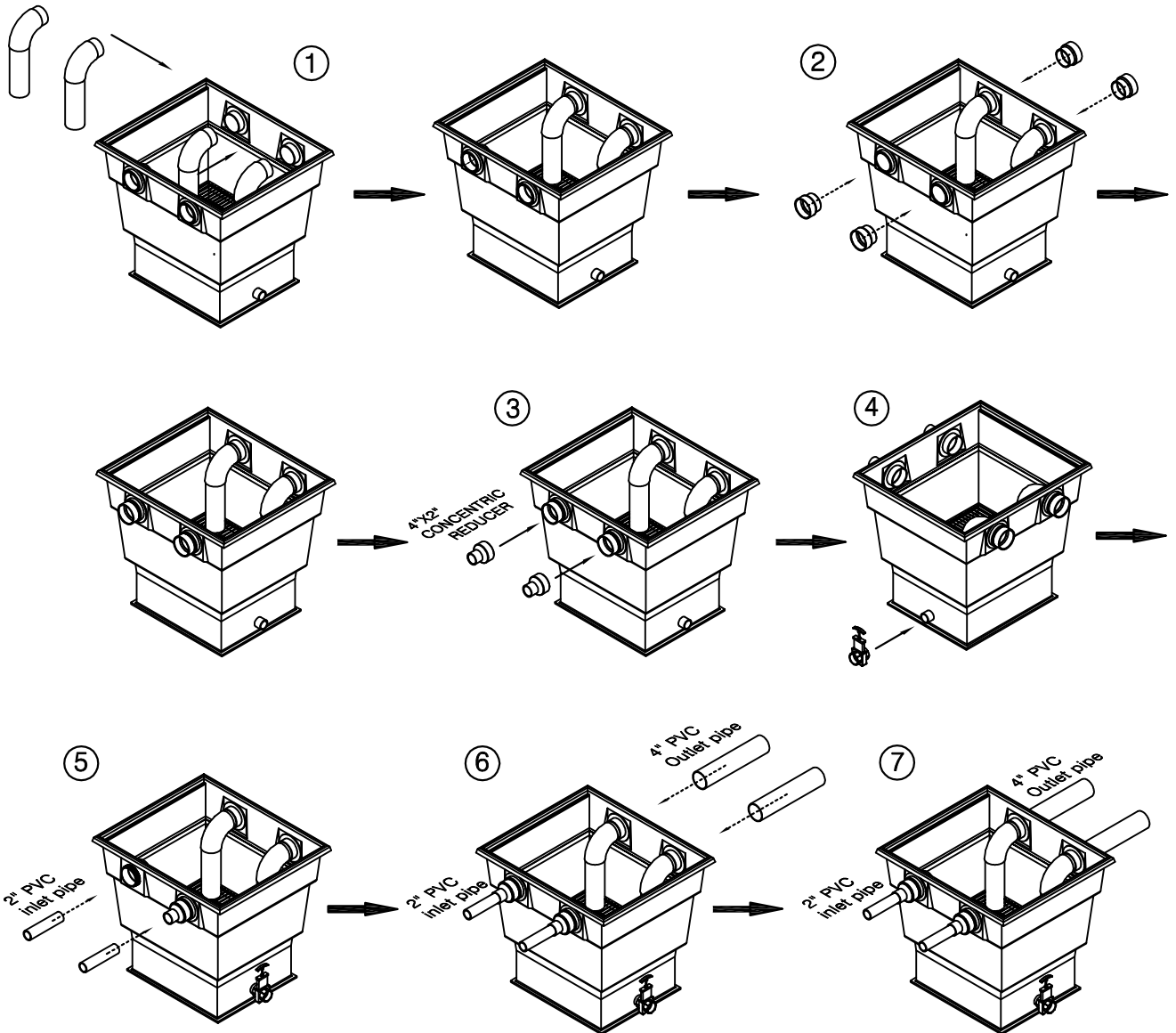
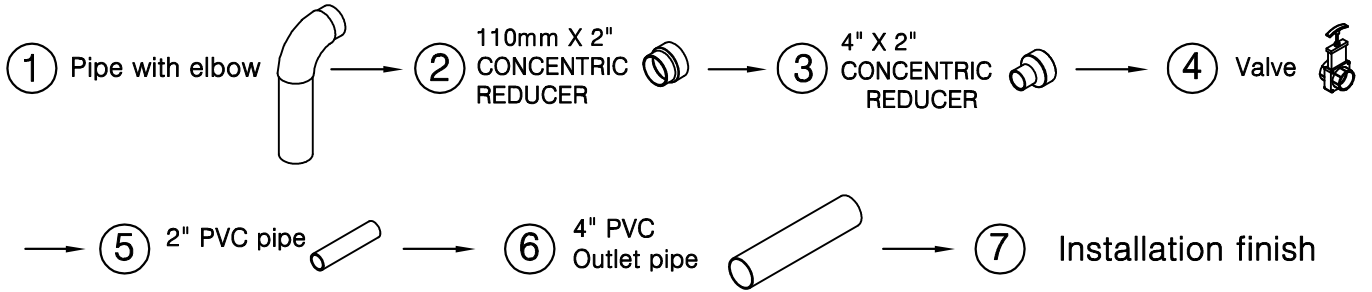


1 pcs



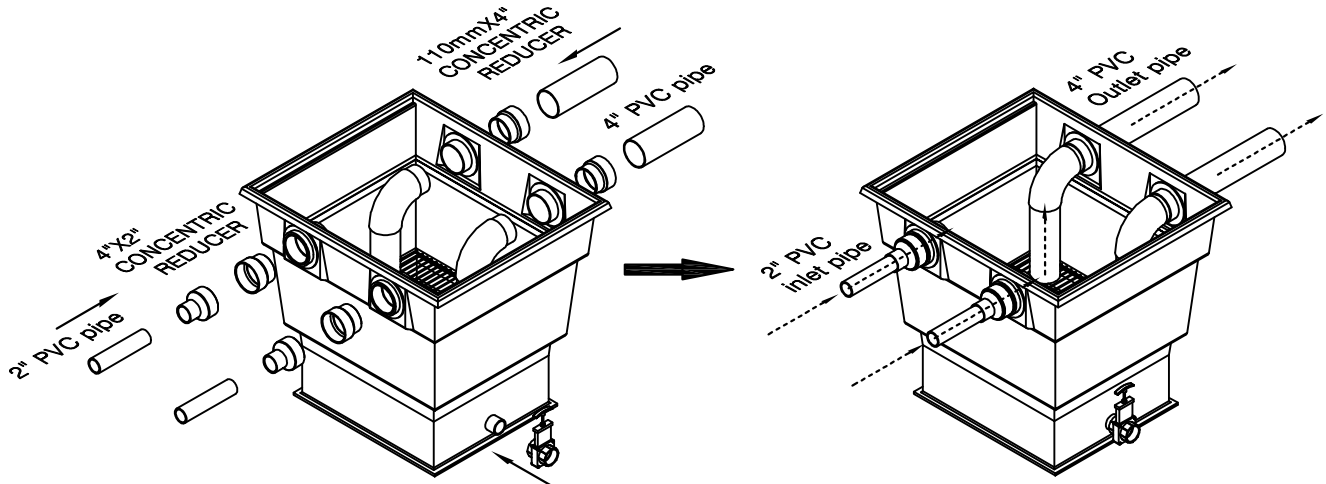
4"Elbow (Optional, Purchase separately)

► Installation order

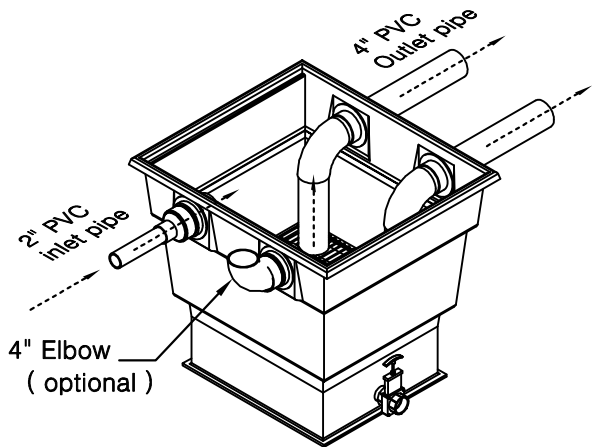


► Select installation type

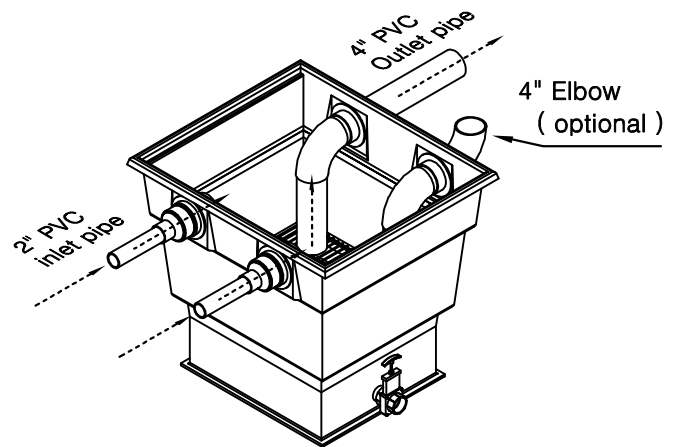
Two inlet, Two outlet



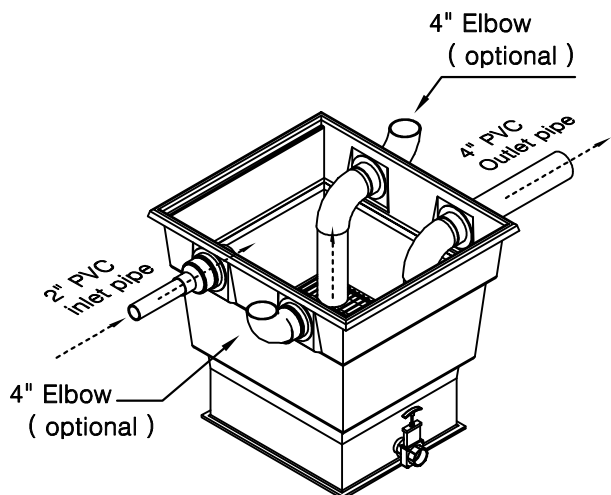
One inlet, Two outlet



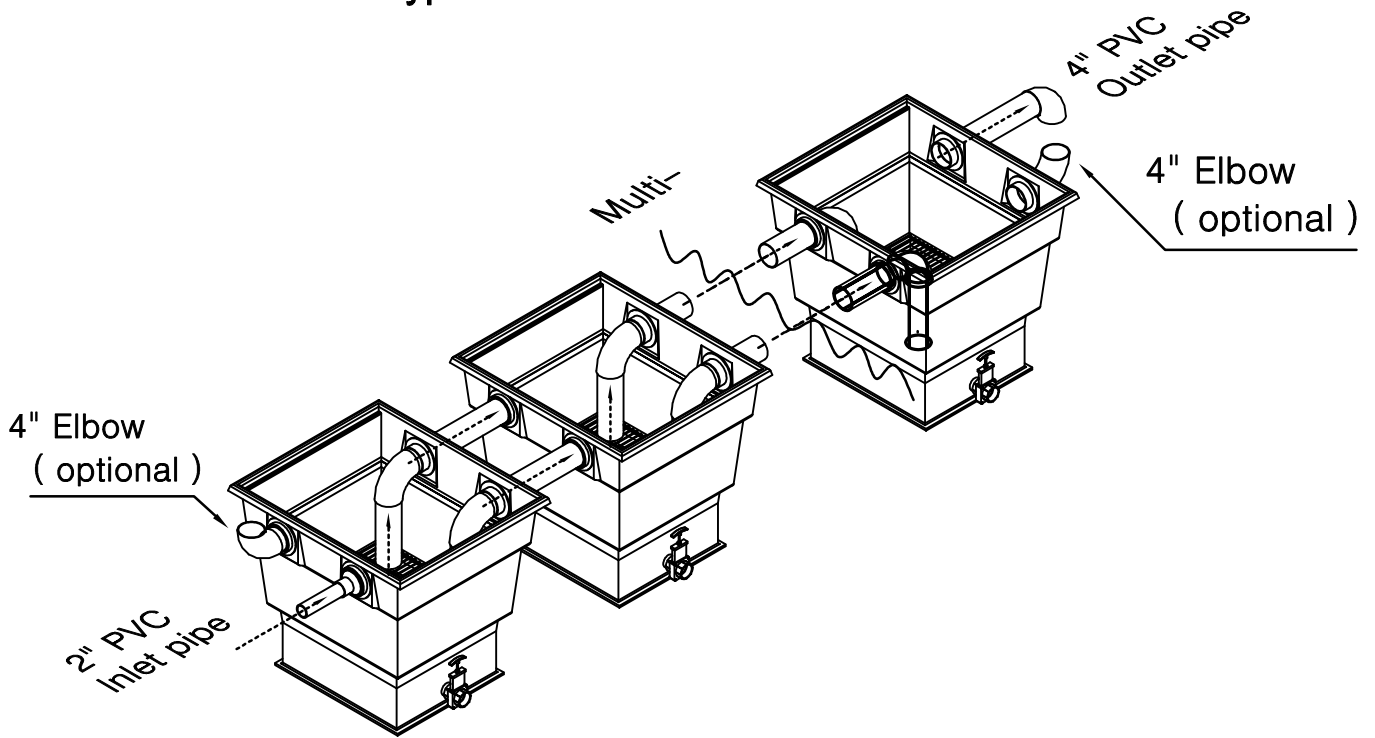
Two inlet, One outlet



One inlet, One outlet



Three and more Combination for Pump fed-in Model Modular Type FRP Filtertank



Three and more Combination for Gravity fed-in Model Modular Type FRP Filtertank

