



J2 Joey

Low Level Order Picker

Patents Pending



CAPACITY

- 1,500 lbs. @ 24" LC on forks
- 300 lbs. operators compartment
- 200 lbs. rear work platform

BATTERY INFORMATION

Compartment: 29.1" x 11" x 30"
Anderson 175 Gray A-22
Minimum battery weight 700 lbs.

PERFORMANCE

MAXIMUM LIFT HEIGHTS

48" operator PLATFORM, 72" forks

Maximum Speeds

Travel: Variable from 0 mph to 4.5 mph

LIFT: Up to 32 fpm

WHEELS / TIRES

- (1) 9" x 3" polyurethane drive tire
- (2) 3" x 2" polyurethane stability casters
- (2) 5.9" x 3.5" polyurethane load wheels

ELECTRICAL

24-Volt travel controller.

LCD dash board displays hour meter, battery state of charge, travel speed, drive wheel directional indicator, and fault codes.

AC drive motor provides high torque throughout the entire drive range. The brushless design of the AC motors drastically reduces maintenance costs while extending duty cycle. Travel speed remains constant relative to throttle position regardless of the load on truck.

(4) selectable travel speed settings and a global turtle travel speed setting can be used to tailor equipment performance to the experience level of the operator and use.

MAST

Heavy duty I-beam design provides operator with excellent stability at height. Steel mast channels and side mounted lift cylinders increase total vehicle capacity and service life.

CHASSIS

Three point chassis design with along with 180° drive motor steering arc provides ex-ceptional maneuverability. Powerhead mounted stability casters add additional truck stability and operator confidence at working heights.

OPERATOR COMPARTMENT

Ergonomic fingertip control for travel, lift, and lower functions provide the operator with logical intuitive drive characteristics while traveling at elevation or lowered.

The operator compartment is designed for comfort and features an ergonomic floormat and features a forward and backrest cushion. Retractable compartment side-rails allow for easy egress from either side of the vehicle.

REGENERATIVE BRAKES

Regenerative braking is applied when the operator removes their hand from travel control or when plugging occurs. An electromagnetic parking brake is applied after the truck is stopped.

STANDARD FEATURES

- 36" long forks
- Non-marking tires
- Rear flashing light
- Battery compartment rollers
- Hydraulic front mini mast with independent controls
- Low 9" step height compartment

OPTIONAL EQUIPMENT

- 12 volt accessory power supply
- 224 AH Maintenance Free Battery Pack w/110V Plug-In
- 24 volt Industrial battery
- 24 volt external charger
- Forward controls with no side rails
- Walk along order picking controls

STANDARD OPERATOR CONTROLS

Left Hand

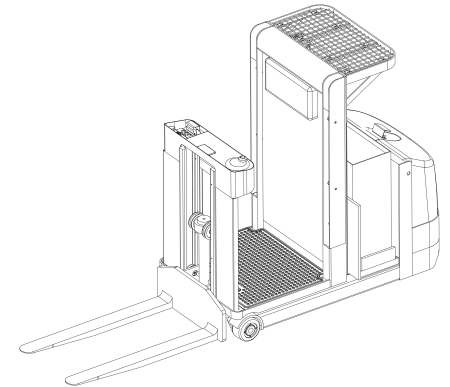
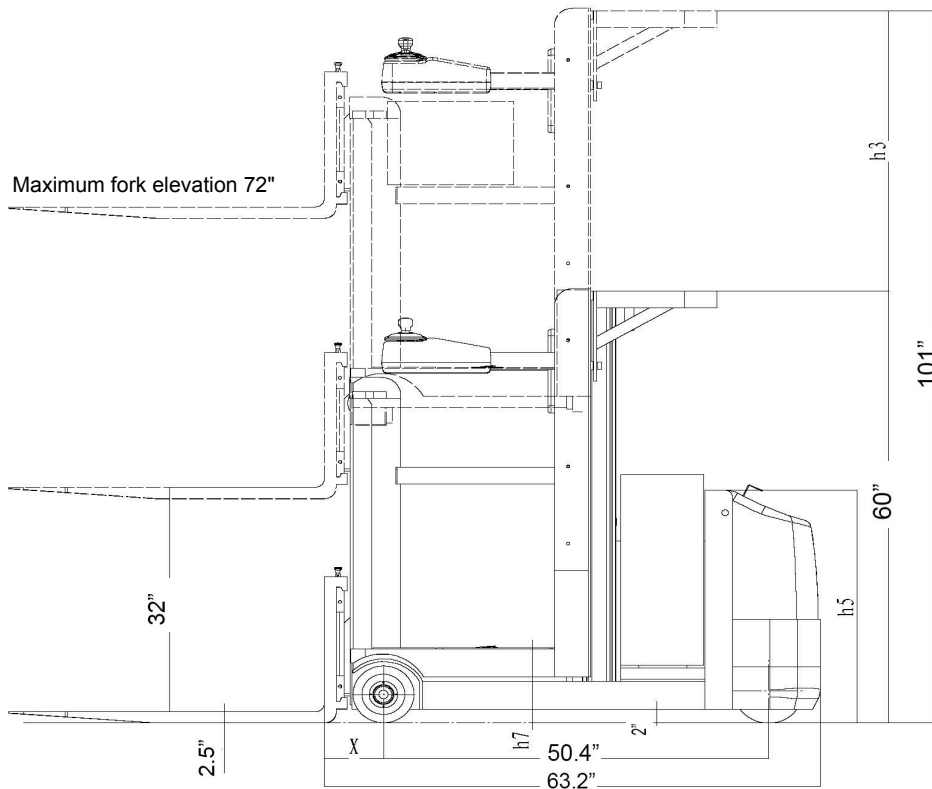
Right Hand



360°
Tiller Steering

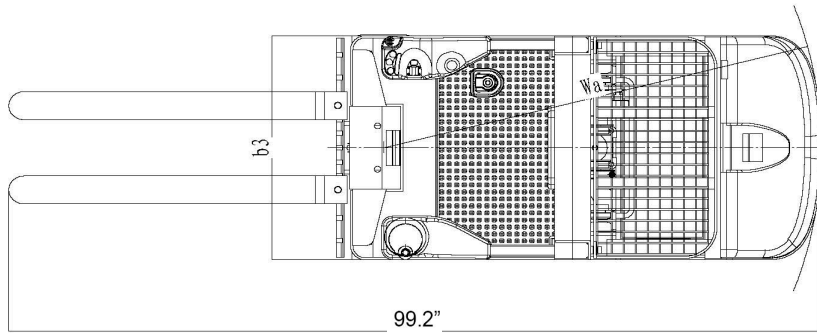


Travel, Lift, Lower, Key
Switch and EPD Controls



J2 -72 shown with optional front operator controls

$h_7 = 8.75''$ Lowered operator platform height



$W_a = 58''$ Turning Radius

Model #	Mast	Lift Height	Col Height	Extended Height	Overall Width	Overall Length	³ Weight Chassis Only
		h_2+h_3	h_1	h_4	b_3 / b_1	L_1	
J2-72	Single Stage	72	60.0	101	31.5	99.2	2,900lbs

All measurements in standard "inch" units, for additional specifications or performance details consult factory

³ Estimated shipping weight without battery



Big Lift LLC
www.bigjoeforklifts.com
630-916-2600

Certification
All units are built to be in compliance with the Occupational Safety & Health Act (OSHA) ANSI Compliant - Patents Pending
Big Lift LLC will not assume liability for injuries or damage arising from, or caused by, the removal of any safety devices from their vehicles by user. Because of the Big Lift LLC policy of continuing product improvements, specifications are subject to change without notice.