

Linde Material Handling

Linde

As individual as your applications.
Linde 387 & 388 series electric trucks.

E20P/600 H - E50P/600 HL
Capacity 4,500 to 11,000 lb.



Your applications dictate the specification –
Linde provides the E-Truck to match.



Announcing the high performance, 100% AC
powered, electric truck series, 387 and 388:
Models E20 P/600 H to E50 P/600 HL.

Wherever you plan to use them, we have a model
precisely matched to your needs.

Low? High? Compact? Long?

Supreme technology in the package that fits your requirements.

387 Low Chassis

Model		Capacity	Length
E25 P	L	5000 lb	97.0 in
E30 P	L	6000 lb	99.9 in
E35 P	L	7000 lb	102.2 in

Overhead guard 81.9 in



387 High Chassis Compact

Model		Capacity	Length
E20 P/600	H	4500 lb	92.6 in
E25 P/600	H	5500 lb	93.5 in
E30 P/600	H	6500 lb	93.9 in

Overhead guard 88.1 in



387 High Chassis Long

Model		Capacity	Length
E25 P/600	HL	5500 lb	99.2 in
E30 P/600	HL	6500 lb	99.6 in
E35 P	HL	7000 lb	99.6 in

Overhead guard 88.1 in



388 High Chassis Compact

Model		Capacity	Length
E35 P/600	H	7500 lb	106.8 in
E40 P/600	H	8500 lb	107.2 in
E45 P/600	H	9500 lb	107.2 in

Overhead guard 92.9 in



388 High Chassis Long

Model		Capacity	Length
E40 P/600	HL	8500 lb	112.9 in
E45 P/600	HL	9500 lb	112.9 in
E50 P	HL	10000 lb	112.9 in
E50 P/600	HL	11000 lb	112.9 in

Overhead guard 92.9 in



Good fit, better fit, **excellent** fit: Linde is the only manufacturer that will offer two different chassis versions, low and high. Furthermore the high chassis comes in two varieties, compact and long. This will allow you to tailor the machine to meet exactly what your needs are.

- Low: for all applications with low doorways and obstructions.
- High and compact: for all applications with tight areas.
- High and long: for even longer runtimes and superior capacity retention.

The list of Linde exclusive features — Added comfort, enhanced performance, superior productivity.

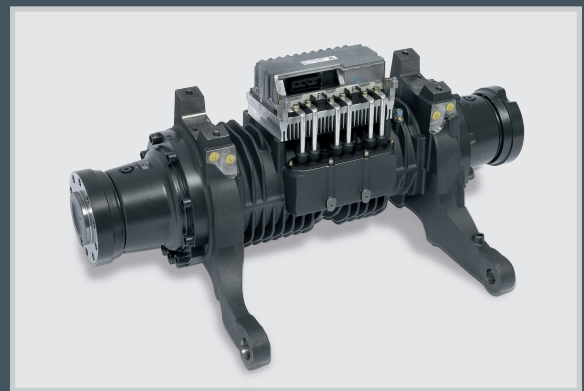
Top-mounted tilt cylinders

Top mounted tilt cylinders make use of basic laws of physics by utilizing the principle and advantage of levers. The high mounting makes it easier to stabilize the mast and the result is less mechanical stress on the chassis and better stability, especially with the load elevated.



Dual motor drive axle

Two drive motors, placed in a tough cast iron axle, help to actively control all truck movements. Not only the obvious forward and reverse travel; this system also facilitates turning the truck in the smallest aisle possible. After the steer wheel angle exceeds 70 degrees, the inside wheel dynamically counter-rotates. Not only does Linde provide the tightest turning truck, this system also contributes to minimizing energy consumption and reducing tire wear. All of this without the need for a differential gear box.



Patented "combi" steering axle

Here is another Linde patent, the combi axle. This system allows the 387 4-wheel trucks to turn as though they were 3-wheelers. In order to maneuver a curve, both steering wheels adjust to allow the truck to rotate around the center of the front axle. Together with the dual motor drive, the truck essentially turns in its own length.





Axle mounted power modules

Mounting power modules on the drive axle allows Linde to minimize the use of heavy gauge cables. On conventional machines power modules are mounted somewhere on the chassis of the truck, making it necessary to transport electricity from the battery to the module(s) and back to the motors. The Linde system eliminates the need for transporting electricity back and forth, avoiding the use of power cables and saving energy.



Floating cab/vibration isolation

A healthy operator is a productive operator. Not feeling all surface vibrations and limiting the effect of bumps certainly contributes positively to the operator's well being. Neoprene bushings and bearings reduce the vibrations felt at the driver's contact points with the forklift, keeping fatigue to a minimum.



"Real time" battery display

Unlike the conventional battery discharge indicators, Linde displays the remaining operational time. The system will calculate, based on actual battery charge and average usage, how long the remaining energy will last. This system allows the driver to see exactly how much operational time is left in the battery, rather than just the energy level.



Traction control

The unique Linde dual drive motor system has made it possible to offer the first electric forklift with traction control. Should one wheel loose traction, the control system redistributes power individually between the motors. The result is that the machine will maintain motion even if one wheel is slipping.

What makes Linde forklifts so different?

Funny — nobody asks us that after they have driven one.

Dual drive motors

Linde has been using this drive system since the early 1980's and has gathered more than 30 years experience with no differential while limiting unnecessary energy loss. In its latest version the motors are housed in a cast axle frame and the power module is mounted on top. There is not a more energy efficient assembly in the market today.



Neoprene mountings



Front axle



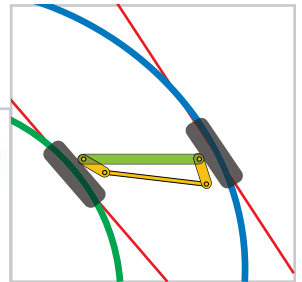
Tilt cylinder

“Vibration isolation” system

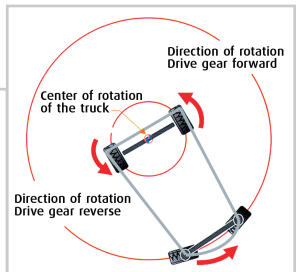
Neoprene mountings at all “ends”, front axle, rear axle, tilt cylinders, result in the ultimate stress reduction for driver and machine and is a Linde exclusive. Not only does this system provide significant ergonomic advantages, facilitating superior driving comfort, it reduces operator fatigue and ensures a high level of productivity. Shielding vital components from high frequency vibration caused by rough surfaces and bumps due to ramps, curbs, dock boards and pot holes, is another fundamental advantage of the neoprene mountings.



388 Series



387 Series



Rear axle

Steering axles

Continuing a long standing Linde tradition, both, the conventional “Ackerman” type steering axle of the 388 series and the patented “combi axle” of the 387 series, are constructed from a single piece of steel. This completely eliminates welding on the axle bodies and prevents metallurgic weak spots due to heating. The neoprene mounting further increases the already unsurpassed durability of these axles.

Linde design and innovation — Comfort is more than just a pleasant working environment — it improves safety and pays dividends.



New armrest

Linde pioneered the use of integrated armrests for forklifts. The complete new design improves the original concept and even expands it. Adjustments, horizontally and vertically, are made by releasing only one set screw, while adding the integrated storage compartment is another industry first.



New seat

Not only is the new seat wider, there are also plenty of adjustments available, including forward/back, weight and backrest tilt. The lap-belt is standard equipment. With plenty of options, it is possible to customize for a multitude of applications.



Driver assistant

The Linde "driver assistant" knows a thing or two about tight corners. As steer angles and speed are monitored it is possible to determine if the truck is moving too fast. If the speed is too high, the system will automatically decelerate the truck and slow down. Making sure everything makes it "round" the corner – quick but safe.



Parking brake

The self activating parking brake is automatically applied as soon as the truck stands still. Without any noticeable delay the truck will move the moment the driver depresses the drive pedal. Anytime the driver leaves the seat, the parking brake is also automatically applied.

Performance — Efficiency — Economy

It is beneficial to have a choice.



Linde has been building the highest performance electric trucks on the market for a long time and this new series has raised the bar again. But we also know that there are applications where it is not necessary to squeeze every last ounce of performance out of the forklift. There are fragile loads to handle, tight areas to operate in and there is also money to be saved. We offer these three settings so you can choose without giving up any of the unparalleled ergonomic and economic benefits the machine has to offer.

Battery change, charge and maintenance

A necessity made easy.



Managing the battery on an electric truck is a necessity and fact of life. Changing the battery can be accomplished in several different ways, from lifting it out with a crane to using a forklift. If battery maintenance is required, all you need to do is lift the hood for excellent access. We also have prepared the truck for the ever increasing popularity of “opportunity and quick charge”.



From truck size, capacity and specific equipment to the driver assistance system and beyond, this unique series offers features without equal.

Discover the unmatched benefits of another **Linde invention.**

Indoor? Outdoor? Special Applications

Well, what's wrong with doing it all?

Linde series 387 and 388 reporting ready for demanding environments.



Due to systematic engineering these trucks can operate in indoor as well as in outdoor applications.

For challenging outdoor conditions, we offer a complete cab with all the amenities that you would find in an automobile.



From heater-defroster to wipers on all windows, to storage capabilities, plus sliding and pop-out side windows for increased air circulation.





With annual sales exceeding 100,000 forklift trucks, Linde ranks among the world's leading manufacturers. This position has been justly earned. Linde trucks excel not only with their recognized innovative technology but especially due to their low energy and operating costs.

High quality in production is matched by the standard of the service we provide. With our ten manufacturing plants and a comprehensive network of local partners, we are at your call around the clock and around the world.

Your local Linde dealer offers a complete single-source package including qualified pre-sales consulting, after-sales service and flexible finance options—whether leasing, renting or purchasing.



For more information on Linde material handling equipment, please contact:

KION North America Corporation
2450 West 5th North Street, Summerville, SC 29483
Phone: (843) 875-8000 Truck Sales Fax: (843) 875-8471
E-mail: trucksales.na@kiongroup.com
www.kion-na.com