



LPG Forklift Trucks  
Capacity 5000, 5500, 6000 and 6500 lbs.  
H25CT, H27CT, H30CT, and H32CT

HYDROSTATIC, CUSHION TIRE SERIES

Linde Material Handling



### Safety

This line of trucks is designed for the demanding conditions of the Class Four market. Low mounted propane tank and dashboard, combined with a clear view mast increase all-around visibility. This, together with low noise level and simple operation allow operators to stay alert and maintain unparalleled awareness of their surroundings.

### Performance

With its impressive performance the truck still maintains low fuel consumption and low exhaust emissions. Advanced engine and drive technology combined with the original Linde Load Control system enable the operator to use the truck's potential to maximize productivity. Ergonomic layout of all hydraulic functions allow for a high level of precision fingertip control and working performance.

### Comfort

Climb on board relaxed — finish the shift relaxed. Designed to the most advanced ergonomic standards. Spacious cab interior with accessibility from both sides of the truck, adjustable armrest, suspension seat, and functional positioning of easy-actuation controls make for a low stress working environment.

### Reliability

The durability of this machine has been tested and proven in a variety of severe applications. Its massive components are designed to operate in adverse conditions and can handle intense utilization with minimum care.

### Productivity

Effective and cost efficient: Linde hydrostatic drive eliminates torque converter transmission, clutch, and drum brakes. As a result, servicing costs are low, truck uptime is high and productivity is enhanced.

# Technical data

October 2009

Characteristics	1.1	Manufacturer	Linde		
	1.2	Model designation	H25 CT		
	1.3	Power type	LP gas		
	1.4	Operator type	Rider seated		
	1.5	Capacity - rated load	Q lbs (kg)	5000	2300
	1.6	Load center	c in (mm)	24	610
	1.8	Center of wheel to face of forks	x in (mm)	15.7	400
	1.9	Wheelbase	y in (mm)	59.1	1500
	Weight	2.1	Total approximate weight	lb (kg)	8953
2.2		Axle loading - rated load; front / rear	lb (kg)	11824 / 2121	5368 / 963
2.3		Axle loading - no load; front / rear	lb (kg)	3461 / 5492	1570 / 2491
Wheels & Tires	3.1	Tire type	Cushion		
	3.2	Tire size; front	in	21 x 7 x 15	
	3.3	Tire size; rear	in	16 x 5 x 10.5	
	3.5	Number of tires; front/rear (x = driven)	2 x / 2		
	3.6	Tread, center of tires; front	b10 in (mm)	35.0	889
	3.7	Tread, center of tires; rear	b11 in (mm)	35.7	908
	Dimensions	4.1	Mast/fork carriage tilt angle; forward / back	degrees	6.0 / 5.0
4.2		Height of Mast; lowered	h1 in (mm)	See mast table	
4.3		Limited free-lift	h2 in (mm)	See mast table	
4.4		Maximum fork height - lift; 2-stage	h3 in (mm)	See mast table	
4.5		Height of standard Mast extended	h4 in (mm)	h3 + 48" <sup>2</sup>	
4.7		Height of overhead guard / cab	h6 in (mm)	83.9	2130
4.8		Height of seat	h7 in (mm)	42.0	1067
4.12		Height of tow coupling	h10 in (mm)	23.6	600
4.19		Overall length with 42" forks	l1 in (mm)	133.7	3379
4.20		Length to fork face	l2 in (mm)	91.0	2312
4.21		Overall width	b1 / b2 in (mm)	42.0	1068
4.22		Fork dimensions	s x e x l in	1.5 x 4 x 42	
4.23		Fork carriage: class	Class 2		
4.24		Width of fork carriage	b3 in (mm)	38.6	980
4.31		Ground clearance under mast, no load	m1 in (mm)	3.8 <sup>3</sup>	96 <sup>3</sup>
4.32		Ground clearance; center of wheelbase	m2 in (mm)	4.5	115
4.34		Aisle width with 48" load	Ast in (mm)	150 <sup>1a</sup>	3820
---		Aisle width with varying loads	Ast in (mm)	94 <sup>1b</sup>	2400
4.35	Turning radius	Wa in (mm)	78.7	2000	
4.36	Minimum pivot point distance	b13 in (mm)	19.1	486	
Performance	5.1	Travel speed; rated load / no load	mph (km/h)	11.2 / 11.2	18.0 / 18.0
	5.2	Lift speed; rated load / no load	fpm (m/s)	110.4 / 110.1	0.56 / 0.58
	5.3	Lowering speed; rated load / no load	fpm (m/s)	98.5 / 96.6	0.50 / 0.44
	5.5	Drawbar pull; rated load / no load	N	4473 / 2765	19900 / 12300
	5.7	Gradeability; rated load / no load	%	35 / 18	35 / 18
	5.9	Acceleration time; with / without load	s	5.9 / 5	
	5.10	Service brake	Hydrostatic		
Engine	7.1	Engine, make / model	VW / BEF		
	7.2	Output per ISO1585	hp (kW)	48.5	36
	7.3	Rated speed	rpm	2500	2500
	7.4	Number of cylinders / displacement	in <sup>3</sup> (ccm)	4 / 121	4 / 1984
Other	8.1	Transmission type	Hydrostatic		
	8.2	Relief pressure for attachments	psi (bar)	2610	180
	8.3	Oil flow for attachments	gal/min (l/min)	14.5	55
	8.4	Noise level; drivers ear	dB (A)	74	74

<sup>1a</sup> Including 48" load and 8" of operational space

<sup>1b</sup> Add load length and operational space

<sup>2</sup> Includes LBR

<sup>3</sup> Ground clearance under quad mast without load - 2.8"

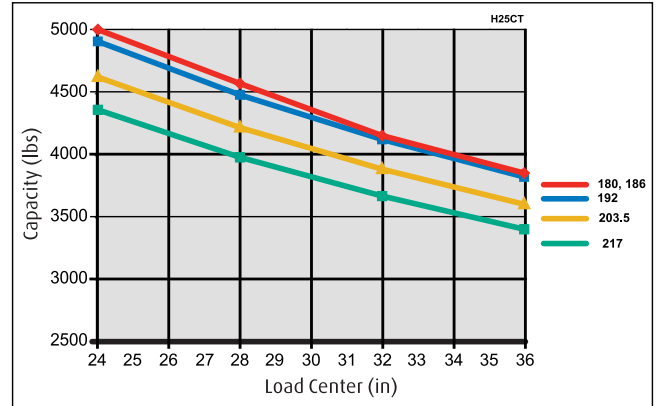
	Linde		Linde		
	H27 CT		H30 CT		
	LP gas		LP gas		
	Rider seated		Rider seated		
	5500	2500	6000	2700	
	24	610	24	610	
	16.4	416	16.7	424	
	59.1	1500	59.1	1500	
	9700	4400	10141	4600	
	13011 / 2181	5907 / 990	13833 / 2300	6280 / 1044	14
1	3863 / 5828	1754 / 2646	3756 / 6377	1705 / 2895	30
	Cushion		Cushion		
	21 x 8 x 15		21 x 8 x 15		
	16 x 6 x 10.5		16 x 6 x 10.5		
	2 x / 2		2 x / 2		
	35.7	907	35.7	907	
	35.7	908	35.7	908	
	6.0 / 5.0		6.0 / 5.0		
	See mast table		See mast table		
	See mast table		See mast table		
	See mast table		See mast table		
	h3 + 48"²		h3 + 48"²		
	83.9	2130	83.9	2130	
	42.0	1067	42.0	1067	
	23.6	600	23.6	600	
	135.0	3430	136.6	3470	
	93	2363	95	2403	
	43.7	1110	43.7	1110	
	1.5 x 4 x 42		1.75 x 5 x 42		
	Class 2		Class 3		
	38.6	980	38.6	980	
	3.8 <sup>3</sup>	96 <sup>3</sup>	3.8 <sup>3</sup>	96 <sup>3</sup>	
	4.5	115	4.5	115	
	152 <sup>1a</sup>	3860	154 <sup>1a</sup>	3900	
	96 <sup>1b</sup>	2440	98 <sup>1b</sup>	2480	
	79.5	2020	80.8	2052	
	19.1	486	19.1	486	
	11.2 / 11.2	18.0 / 18.0	11.2 / 11.2	18.0 / 18.0	1
	90.5 / 94.5	0.46 / 0.48	90.5 / 94.5	0.46 / 0.48	9
	108.3 / 98.4	0.55 / 0.50	108.3 / 98.4	0.55 / 0.50	1
0	4473 / 3102	19900 / 13800	4496 / 3012	20000 / 13400	4
	32 / 20	32 / 20	29 / 19	29 / 19	2
	6.1 / 5.2		6.3 / 5.4		
	Hydrostatic		Hydrostatic		
	VW / BEF	VW / BEF	VW / BEF	VW / BEF	
	48.5	36	48.5	36	
	2500	2500	2500	2500	
	4 / 121	4 / 1984	4 / 121	4 / 1984	
:	Hydrostatic	Hydrostatic	Hydrostatic	Hydrostatic	H
	2610	180	2610	180	
	14.5	55	14.5	55	
	74	74	74	74	

# Downrating charts\*

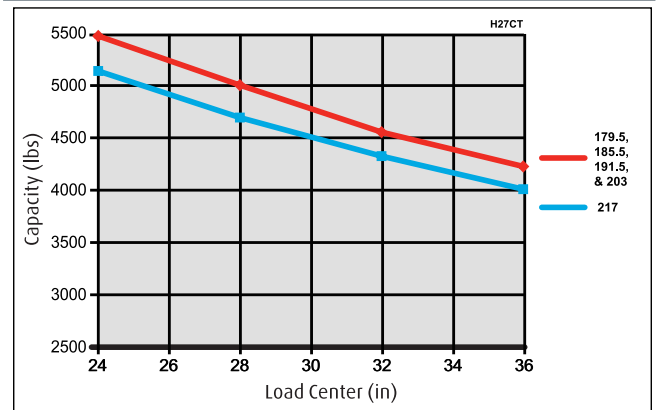
Reference cushion tires with standard carriage and forks only.

Linde		1.1
H32 CT		1.2
LP gas		1.3
Rider seated		1.4
6500	3000	1.5
24	610	1.6
16.7	424	1.8
59.1	1500	1.9
10471		2.1
14618 / 2357	6631 / 1070	2.2
3637 / 6834	1650 / 3100	2.3
Cushion		3.1
21 x 8 x 15		3.2
16 x 6 x 10.5		3.3
2 x / 2		3.5
35.7	907	3.6
35.7	908	3.7
6.0 / 5.0		4.1
See mast table		4.2
See mast table		4.3
See mast table		4.4
h3 + 48 <sup>n</sup> 2		4.5
83.9	2130	4.7
42.0	1067	4.8
23.6	600	4.12
137.6	3496	4.19
96	2429	4.20
43.7	1110	4.21
1.75 x 5 x 42		4.22
Class 3		4.23
38.2	980	4.24
3.8 <sup>3</sup>	96 <sup>3</sup>	4.31
4.5	115	4.32
154 <sup>1a</sup>	3915	4.34
98 <sup>1b</sup>	2495	---
81.7	2075	4.35
19.1	486	4.36
11.2 / 11.2		5.1
90.5 / 94.5		5.2
108.3 / 98.4		5.3
4496 / 2469		5.5
27.5 / 19		5.7
6.4 / 5.5		5.9
Hydrostatic		5.10
VW / BEF	VW / BEF	7.1
48.5	36	7.2
2500	2500	7.3
4 / 121	4 / 1984	7.4
Hydrostatic	Hydrostatic	8.1
2610	180	8.2
14.5	55	8.3
74	74	8.4

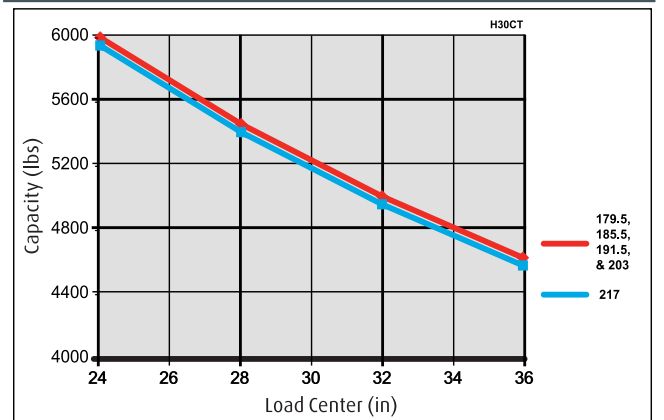
## Model H25CT



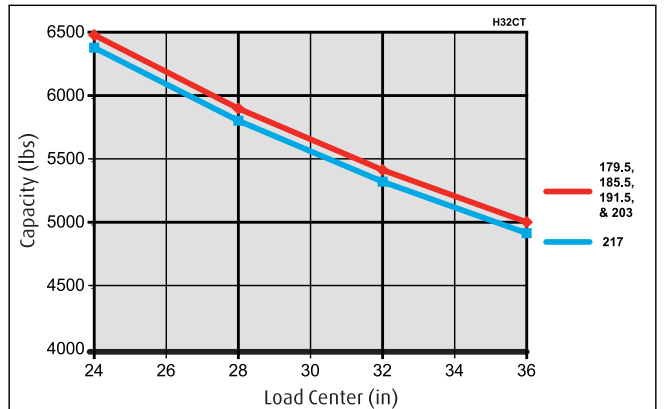
## Model H27CT



## Model H30CT



## Model H32CT



# Capacity\*

## Model H25CT

1.5" x 4" x 42" Forks\*\*

Cushion 21 x 7 x 15 Drive Tires\*\*

Mast Table (in)				Capacity @ 24" Load Center**		
Closed Height	Lift Height	Free Lift		Standard Carriage*	Intergral Carriage*	Hang-on SS Carriage*
h1	h3	h2		Lbs.	Lbs.	Lbs.
84.0	124.5	0.0	Simple	5000	5000	4755
92	140	0.0	Simple	5000	5000	4755
84	125	60.0	Dual	5000	5000	4755
92	141	67.5	Dual	5000	5000	4755
82	180	58	Triple	5000	5000	4755
84	186	60	Triple	5000	5000	4755
86	192	62	Triple	4900	4900	4655
90	203.5	65.5	Triple	4600	4600	4355
96	217.5	71.5	Triple	4325	4325	4080

## Model H27CT

1.5" x 4" x 42" Forks\*\*

Cushion 21 x 8 x 15 Drive Tires\*\*

Mast Table (in)				Capacity @ 24" Load Center**		
Closed Height	Lift Height	Free Lift		Standard Carriage*	Intergral Carriage*	Hang-on SS Carriage*
h1	h3	h2		Lbs.	Lbs.	Lbs.
83.5	120.5	0.0	Simple	5500	5500	5255
93.5	140	0.0	Simple	5500	5500	5255
83.5	121	54.5	Dual	5500	5500	5255
91.5	136.5	62	Dual	5500	5500	5255
83.5	179.5	54.5	Triple	5500	5500	5255
85.5	185.5	56.5	Triple	5500	5500	5255
87.5	191.5	58.5	Triple	5500	5500	5255
91.5	203	62	Triple	5500	5500	5255
97.5	217	68	Triple	5150	5150	4905

## Model H30CT

1.75" x 5" x 42" Forks\*\*

Cushion 21 x 8 x 15 Drive Tires\*\*

Mast Table (in)				Capacity @ 24" Load Center**		
Closed Height	Lift Height	Free Lift		Standard Carriage*	Intergral Carriage*	Hang-on SS Carriage*
h1	h3	h2		Lbs.	Lbs.	Lbs.
83.5	120.5	0.0	Simple	6000	6000	5700
93.5	140	0.0	Simple	6000	6000	5700
83.5	121	54.5	Dual	6000	6000	5700
91.5	136.5	62	Dual	6000	6000	5700
83.5	179.5	54.5	Triple	6000	6000	5700
85.5	185.5	56.5	Triple	6000	6000	5700
87.5	191.5	58.5	Triple	6000	6000	5700
91.5	203	62	Triple	6000	6000	5700
97.5	217	68	Triple	5950	5950	5650

## Model H32CT

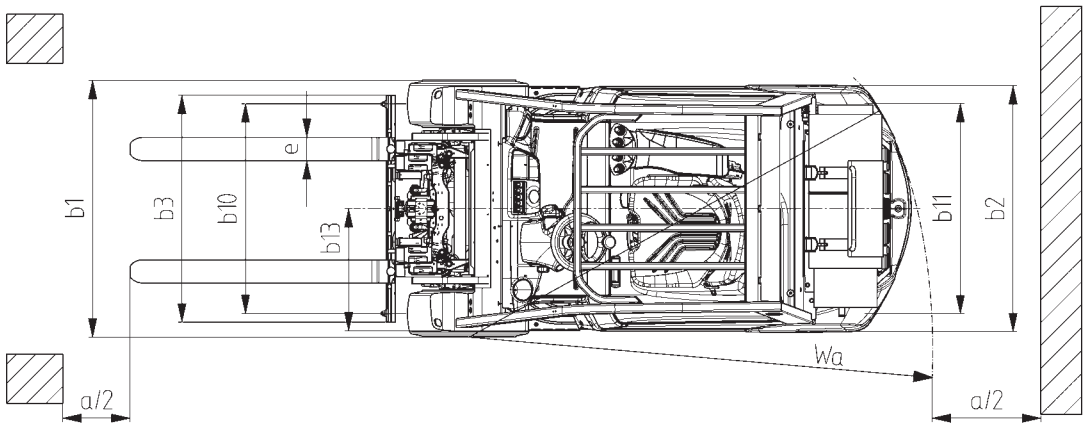
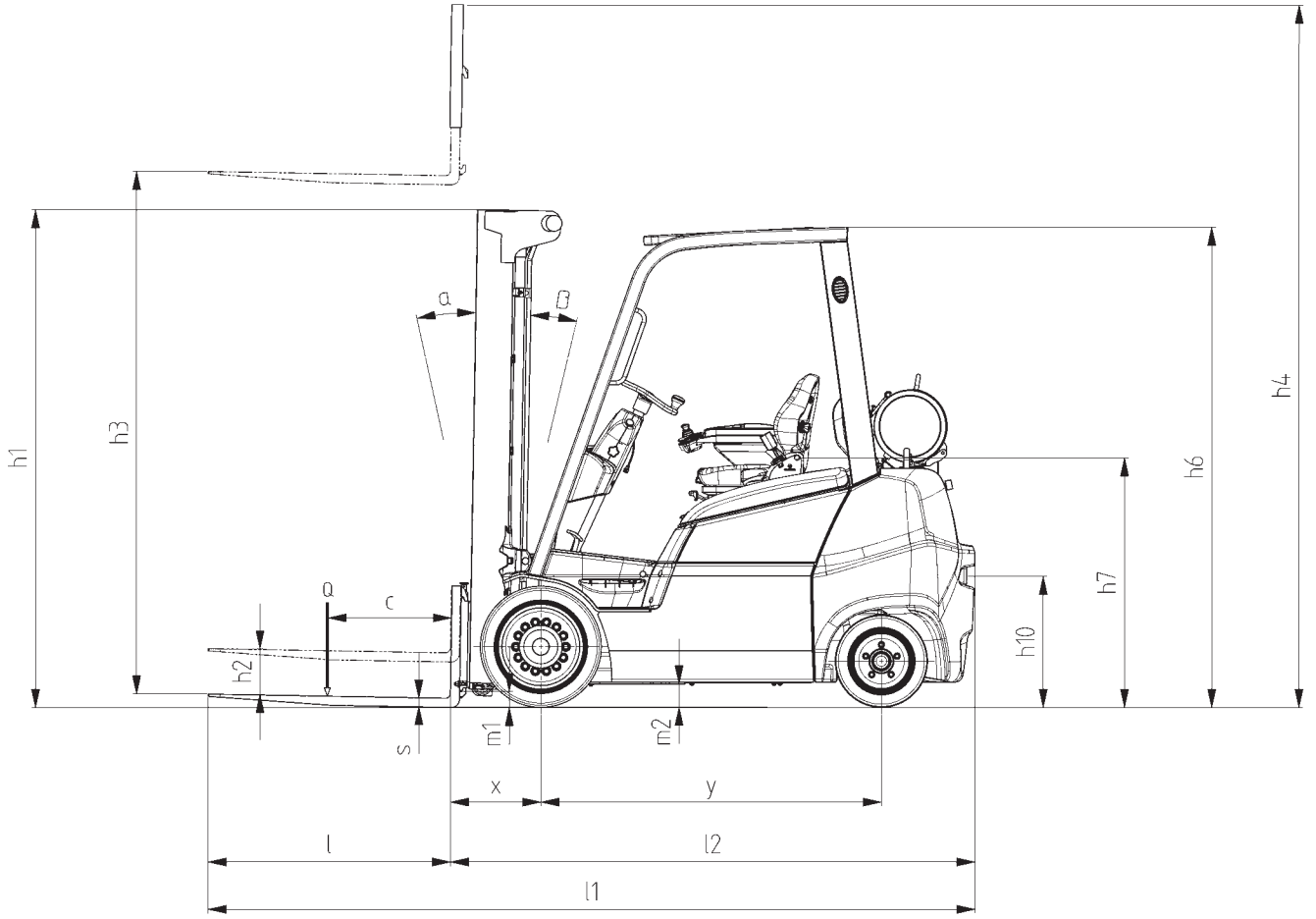
1.75" x 5" x 42" Forks\*\*

Cushion 21 x 8 x 15 Drive Tires\*\*

Mast Table (in)				Capacity @ 24" Load Center**		
Closed Height	Lift Height	Free Lift		Standard Carriage*	Intergral Carriage*	Hang-on SS Carriage*
h1	h3	h2		Lbs.	Lbs.	Lbs.
83.5	120.5	0.0	Simple	6500	6500	6200
93.5	140	0.0	Simple	6500	6500	6200
83.5	121	54.5	Dual	6500	6500	6200
91.5	136.5	62	Dual	6500	6500	6200
83.5	179.5	54.5	Triple	6500	6500	6200
85.5	185.5	56.5	Triple	6500	6500	6200
87.5	191.5	58.5	Triple	6500	6500	6200
91.5	203	62	Triple	6500	6500	6200
97.5	217	68	Triple	6400	6400	6100

\* For quick reference only. Contact factory for detailed ratings.

\*\* Capacity ratings can be effected by changing forks, load center, and/or drive tires.



# Standard and optional equipment

## Standard equipment:

Linde twin drive pedals travel control

Cushion tires

Linde Load Control integrated armrest (LLC)

Fully adjustable suspension seat with armrest

Entry hand grip

Adjustable steering column

3-function electric-hydraulic valve

Key switch

Comprehensive digital display (anti-glare surface)

High combustion - air intake

Load back rest (LBR)

Plenty of storage space

Twin front work lamps

3-way regulated catalytic muffler

UL LP rating

Low fuel level warning light

## Options:

Single pedal travel control

Non-marking tires

Simple, dual, triple and quad masts

Bottler's tilt 10f / 5b

Variety of carriages

Hang-on sideshifter

Integrated sideshifter

Wide variety of forks

Low profile overhead guard

Air pre-cleaner

4 function electric-hydraulic valve

Rear spot lights

Stop lights and tail lights

Audible back-up alarm

Amber warning light

Swing down gas bottle including fuel level display

Tilt memory function

UL LPS rating

Other options available on request



# Features

## Original Linde Hydrostatic Drive

- Responsive, smooth and precise driving
- No clutch or friction service brakes; hydrostatic drive assumes function of service brake
- Robust drive system, proven in severe duty environments
- Low maintenance costs and long life



## High-economy Engine Technology

- LPG engines incorporating the most advanced technology
- High torque
- Low fuel consumption
- Low exhaust gas emission levels

## Linde Clear-view Mast

- Superb visibility
- Exceptional residual capacity
- Electronic limiting of tilt angle

## Linde Twin Drive Pedals

- Quick change of forward/reverse direction
- Short pedal stroke
- No leg fatigue
- Increased productivity



## Linde Truck Control (LTC)

- Reliable microprocessor controller technology
- Easily matched to individual application requirements
- Automatic control of engine RPM

## Linde Load Control

- Accurate, safe load handling
- Effortless fingertip control of all hydraulic functions
- Traction and all hydraulic functions completely independent

## Linde Operator Compartment

- Designed to advanced ergonomic standards
- Spacious cab with luxury automobile equivalent legroom
- Excellent visibility of load and surroundings
- Cushioned steer axle reduces road shock
- Standard noise abatement design