

CONNECTION DIAGRAM

KIS CURRENT SENSORS ARE LOOP POWERED.

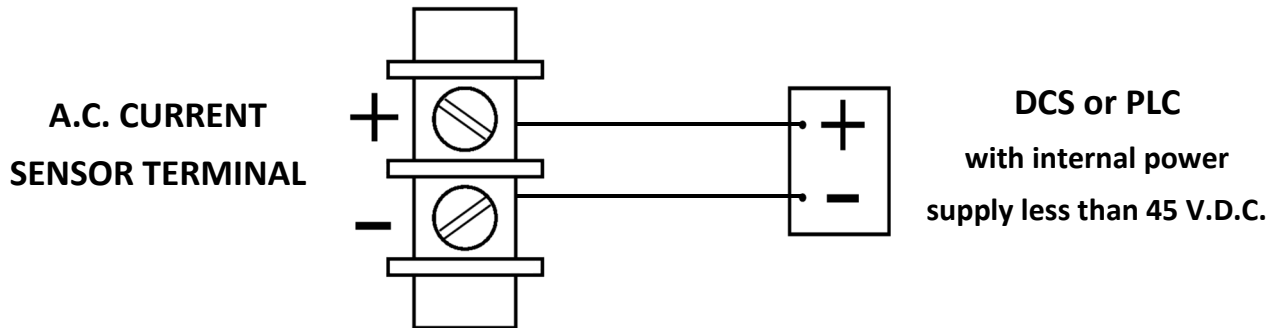
WARNING!

NEVER HOOK UP A.C. TO THE TOP TERMINAL OF THE CURRENT SENSOR.

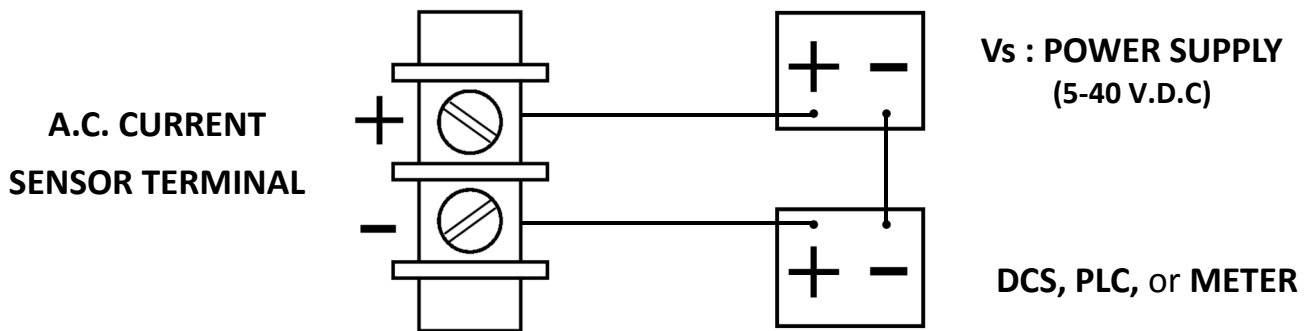
NEVER HOOK UP D.C. GREATER THAN 45 V.D.C. TO THE TOP TERMINAL OF THE CURRENT SENSOR.

Our current sensors are polarity protected, but will not function properly unless polarity is correct.

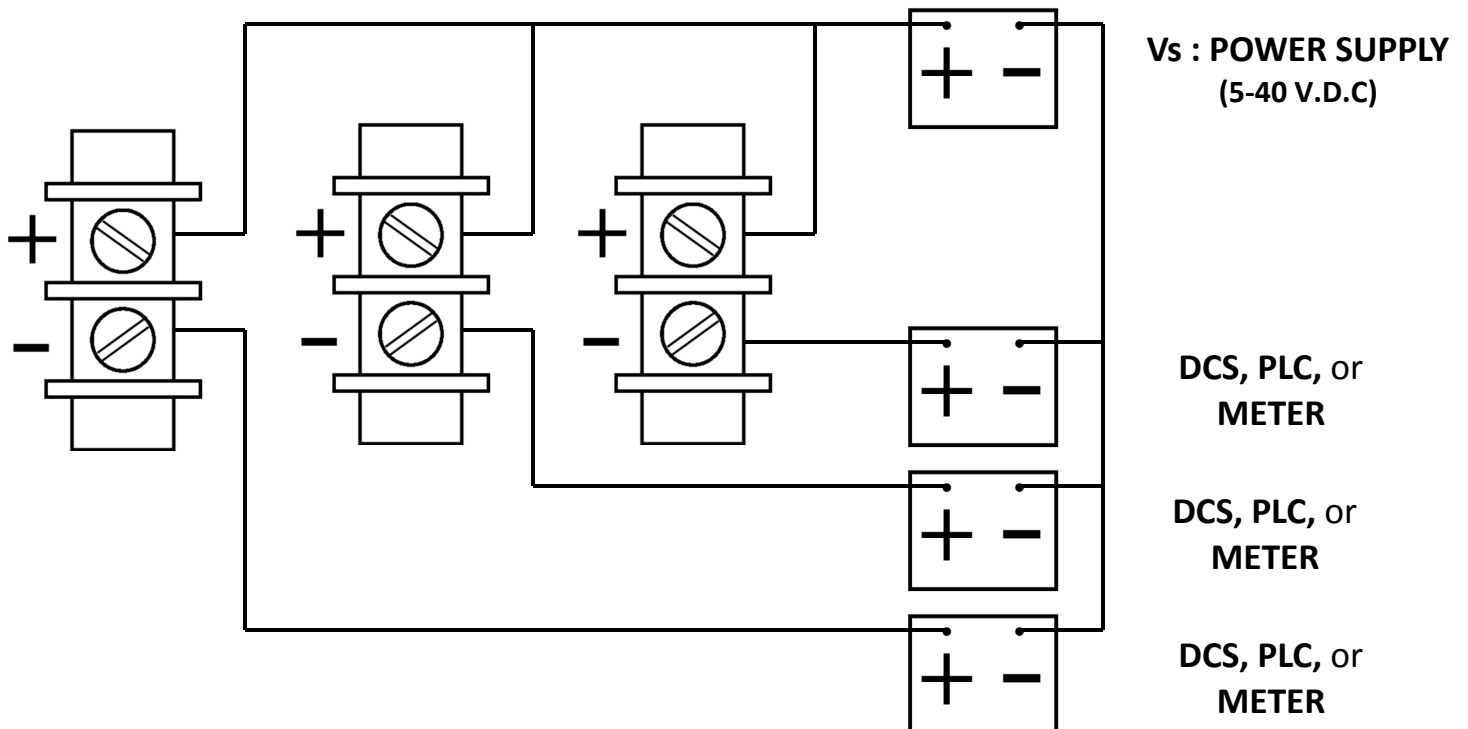
SINGLE CURRENT SENSOR—Basic Connection



SINGLE CURRENT SENSOR—with DCS, PLC, or Meter or requiring external Power Supply



MULTIPLE CURRENT SENSORS—with DCS, PLC, or Meter or requiring external Power Supply



Power Supply should be rated for a current of no less than
25m.A. x no. of sensors in Loop.



Manufacturer maintains right to change specifications without notice; prices as of January, 2010.

WWW.KISCURRENTSENSORS.COM

info@kiscurrentsensors.com

Toll Free: 800.258.9751

Fax: 281.492.0150