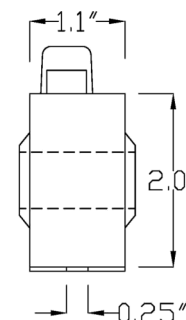
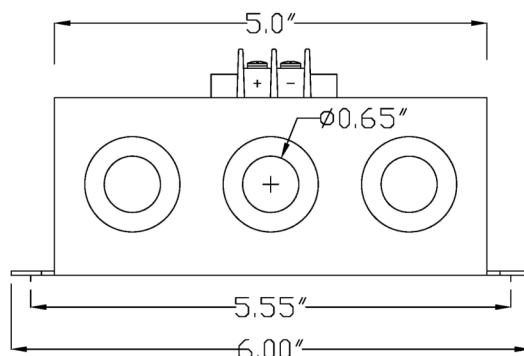
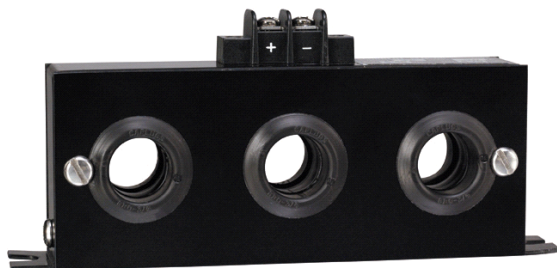


MODEL 3P



STANDARD CURRENT RANGES

A.C. Amps, RMS

0-50, 100, 150

PERFORMANCE SPECIFICATIONS *with Optimum Load Resistance*

Accuracy	0.2% (Standard)
Repeatability	0.1% Full Scale
Response Time	150 Milliseconds Maximum
Temperature Range	-25°C to 85°C
Temperature Coefficient	0.04% F.S./ °C
Conductor Cable Voltage	5000 Volts
Supply Voltage	5 to 40 V.D.C.
Signal Out	4 to 20 m.A.
Frequency	Nominal 50/60 Hz

CONNECTION SPECIFICATIONS

Conductor Cable Size	Up to 0.65" diameter
Wire Range—Top Terminal	14 to 22 AWG
Dielectric Withstand	16 KV/mm

ADDITIONAL SPECIFICATIONS

Max Weight (unit)	9 oz.
-------------------	-------



Manufacturer maintains right to change specifications without notice.

WWW.KISCURRENTSENSORS.COM

info@kiscurrentsensors.com

Toll Free: 800.258.9751

Fax: 281.492.0150