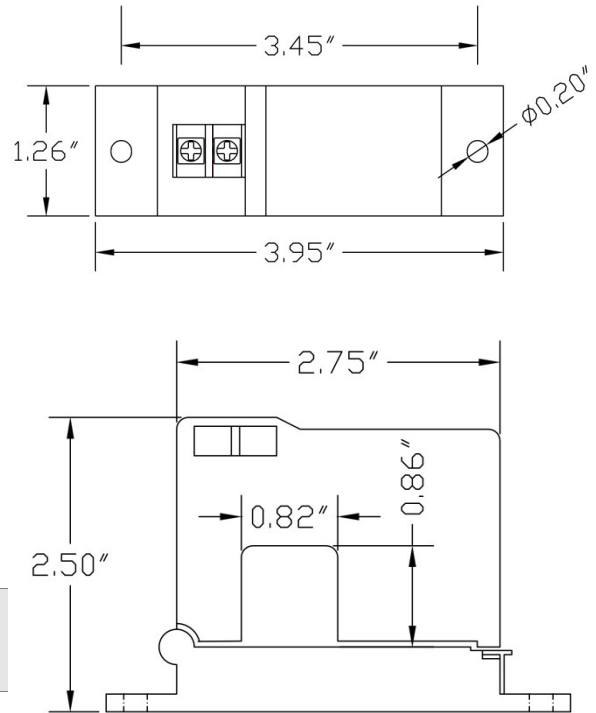


MODEL FCS2151



SELECTABLE CURRENT RANGES

A.C. Amps, RMS

0-100, 0-150, 0-200

SPECIFICATIONS

Opening Size	0.82" x 0.86"
Max Weight (unit)	4.5 oz.
Accuracy	±1% Full Scale
Response Time	250 Milliseconds (0-90%)
Operating Temperature	-30°C to 70°C
Operating Humidity	0-95% RH, non-condensing
Isolation Voltage	2000 Volts
Supply Voltage	15 to 42 V.D.C. (loop powered)
Signal Out	4 to 20 m.A.
Frequency	40 to 400 Hz



WWW.KISCURRENTSENSORS.COM

info@kiscurrentsensors.com

Toll Free: 800.258.9751

Fax: 281.492.0150

Manufacturer maintains the right to change specifications without notice.
Terms and Conditions of Sale of KIS available at www.kiscurrentsensors.com