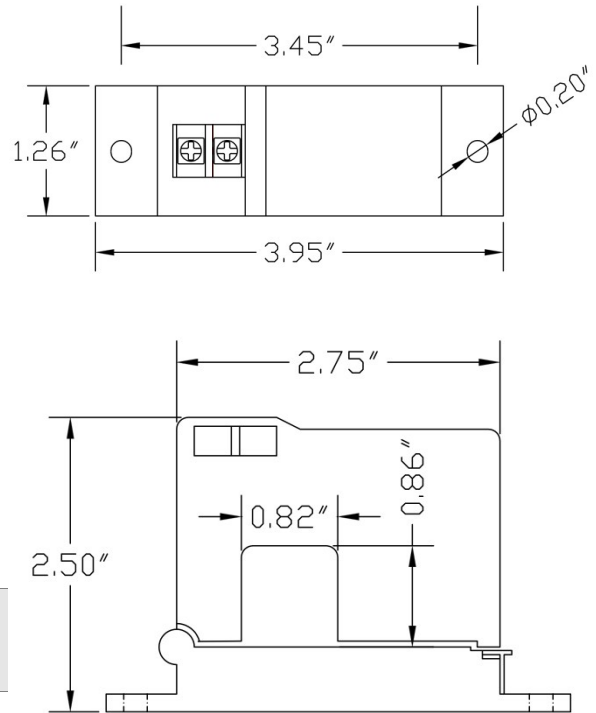


# MODEL FCS521



## SELECTABLE CURRENT RANGES

A.C. Amps, RMS

**0-10, 0-20, 0-50**

## SPECIFICATIONS

Opening Size	0.82" x 0.86"
Max Weight (unit)	4.5 oz.
Accuracy	±1% Full Scale
Response Time	250 Milliseconds (0-90%)
Operating Temperature	-30°C to 70°C
Operating Humidity	0-95% RH, non-condensing
Isolation Voltage	2000 Volts
Supply Voltage	15 to 42 V.D.C. (loop powered)
Signal Out	4 to 20 m.A.
Frequency	40 to 400 Hz



WWW.KISCURRENTSENSORS.COM

info@kiscurrentsensors.com

Toll Free: 800.258.9751

Fax: 281.492.0150

Manufacturer maintains the right to change specifications without notice.  
Terms and Conditions of Sale of KIS available at [www.kiscurrentsensors.com](http://www.kiscurrentsensors.com)