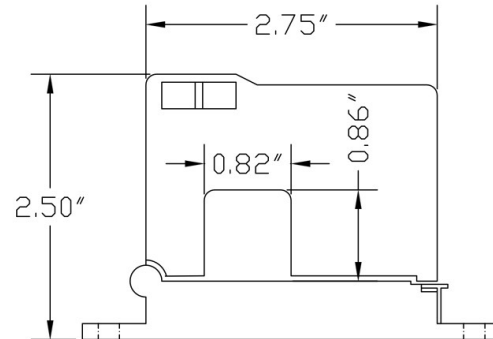
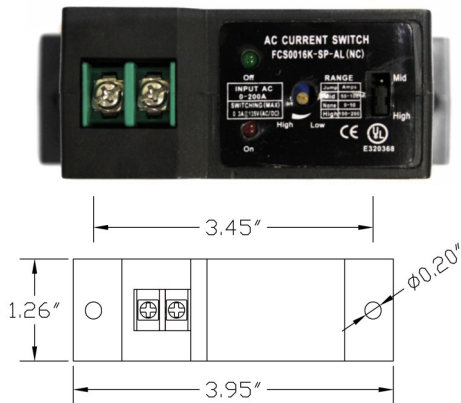


AC CURRENT SWITCH

SELF POWERED

MODEL SP-AL (NC) & MODEL SP-AL (NO)



SELECTABLE CURRENT INPUT RANGES

A.C. Amps, RMS

1.5-50, 50-100, 100-200

SPECIFICATIONS

Opening Size	0.82" x 0.86"
Max Weight (unit)	4.5 oz.
Screw Terminals	14 to 22 AWG
Switch Rating	0.3A@135V AC/DC
Operating Temperature	-30°C to 70°C
Operating Humidity	0-95% RH non-condensing
Isolation Voltage	2000 Volts
Frequency	40 to 400 Hz

SETTING THE TRIP VALUE:

- Using the jumper, select the proper range:
1.5-50, 50-100, or 100-200.
- All devices are factory set at the minimum switch point.
- To INCREASE the set point while the monitored load is on, turn the adjustment CLOCKWISE until the output switches as indicated by the status LED light or voltmeter connected across the device output terminals.
- Turn the adjustment slightly back COUNTER-CLOCKWISE past the point to insure normal line current variations do not cause false conditions.



WWW.KISCURRENTSENSORS.COM

info@kiscurrentsensors.com

Toll Free: 800.258.9751

Fax: 281.492.0150

Manufacturer maintains the right to change specifications without notice.
Terms and Conditions of Sale of KIS available at www.kiscurrentsensors.com