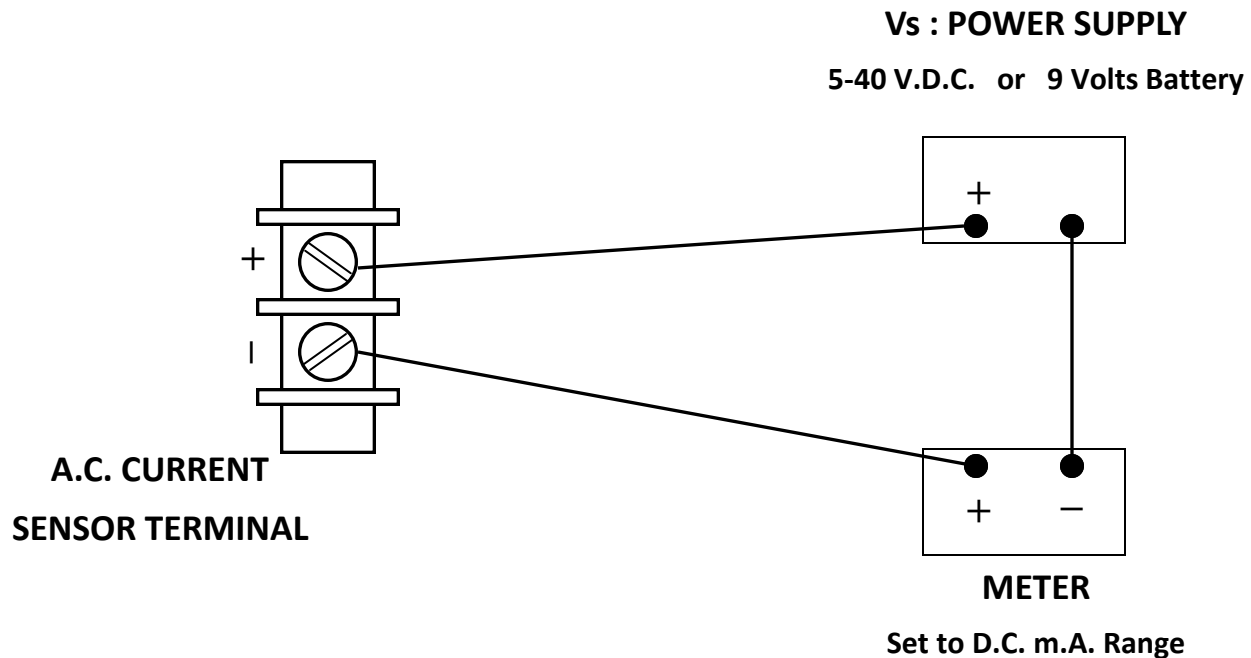


BENCH TESTING



TROUBLESHOOTING / DIAGNOSTIC GUIDE

READING AT ZERO LOAD

DIAGNOSTIC

0 m.A.

Check polarity for the current sensor & connections. See diagram above for assistance.

Ensure meter is working; check meter fuse.

-4 m.A.

Check polarity of the meter; ensure negative (-) on sensor is connected to positive (+) on meter.

Any reading between 5-45 m.A.
(Except 4 m.A.)

Check meter setting and ensure set to D.C. m.A. It may be set to volts and you are measuring the supply voltage.

Other

Call us at 1-800-258-9751 for assistance.



WWW.KISCURRENTSENSORS.COM

info@kiscurrentsensors.com

Toll Free: 800.258.9751

Fax: 281.492.0150

Manufacturer maintains right to change specifications without notice; prices as of January, 2010.