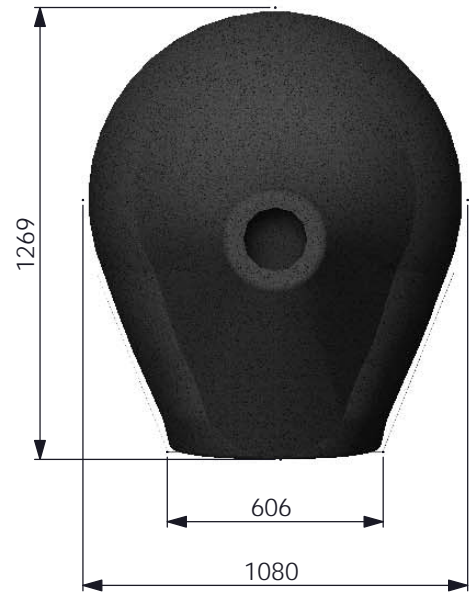
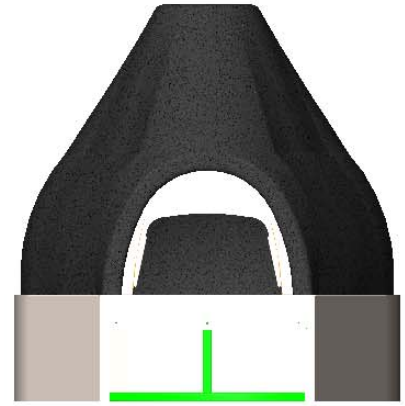
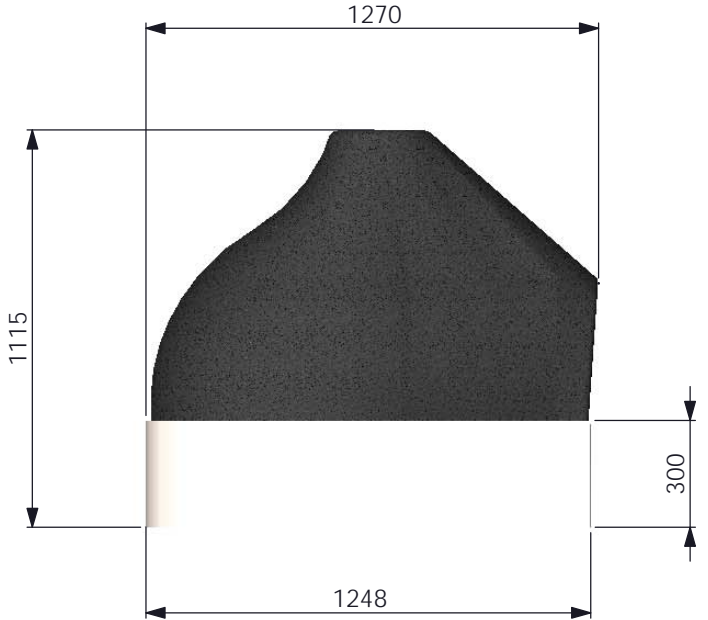
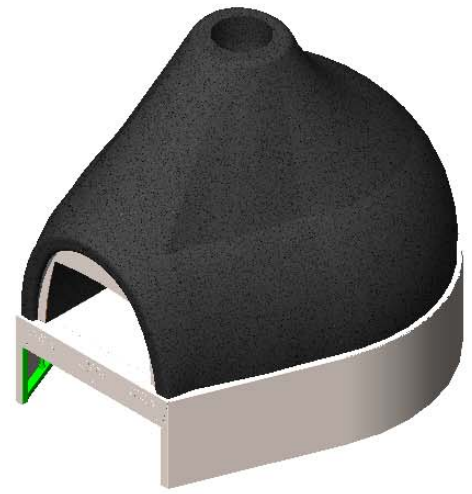


ITEM NO.	PART NUMBER	DESCRIPTION	QTY.
1	DDE0030	MEDIUM 300 FRAME W.A.	1
2	DDE0088	MEDIUM 300 TEARDROP CAP W.A.	1
3	DDE0048	MEDIUM TEARDROP BACKING PLATE	1
4	DDE0014	WARNING PLATE TURN GAS OFF	1
5	DDE0018	BUSHMAN OVEN NAME PLATE	1
6	DDE0138	GAS WARNING PLATE - HOT DONT TOUCH	1
7	DDE0316	MEDIUM ONION VERTICAL CAST OVEN ASSEMBLY	1



ISOMETRIC VIEW



DRN:	N.S.
DATE:	04/03/2020
BY:	N.S.
DATE:	04/03/20
SCALE:	
FINISH:	

THIS DRAWING HAS BEEN C.A.D. GENERATED. ANY MODIFICATIONS MUST BE NOTIFIED TO THE DRAWING OFFICE TO UPDATE MASTER COPY.

the Bushman
Wood Fired Ovens

ALL RIGHTS ARE RESERVED ©
DATE AS PER DRAWN DATE
WWW.BUSHMANWOODFIREDOVENS.CO.UK

GENERAL DIMENSIONAL TOLERANCES (mm)		
2 DEC PLACES	ALL SIZES	+/-0.15
1 DEC PLACE	ALL SIZES	+/-0.30
0 DEC PLACE	0	+/-0.75
	2000	+/-1.50

NOTE THESE DRAWINGS ARE THE INTELLECTUAL PROPERTY OF DINGLEY DELL ENTERPRISES LTD THEY MAY NOT BE DISTRIBUTED TO ANY 3RD PARTY WITHOUT THE EXPRESS PERMISSION OF THE MANAGING DIRECTOR.

DINGLEY DELL ENTERPRISES LTD 2018
20 BARNETTS CLOSE, KIDDERMINSTER
WORCESTERSHIRE DY10 3DG.

TITLE:	MEDIUM VERTICAL ONION ON 300mm CAP		
PROJECT:			
SHEET 1 OF 1	DRG.ND.	REV.	
MATERIAL:	DDE0318		A
Material (not specified)			